



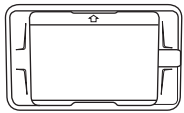
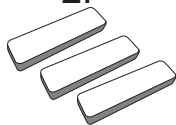



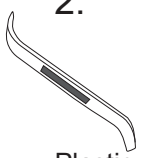
# TABLET DASH KIT

With NEOMAG Technology

Part #TDK610

## For 2007 - 2010 JEEP WRANGLER Installation Guide

7545 Rosecrans Ave. | Paramount, CA 90723 | Toll: 866-303-4714 | Fax: 562-724-9668  
Email: info@carrichs.com | www.carrichs.com

Included Parts				Tools Required	
1.  TDK610	2.  Long Bar Magnets	3.  Short Bar Magnet	4.  Automotive Adhesion Promoter	1.  7 mm Hex Socket Driver	2.  Plastic Pry Tool

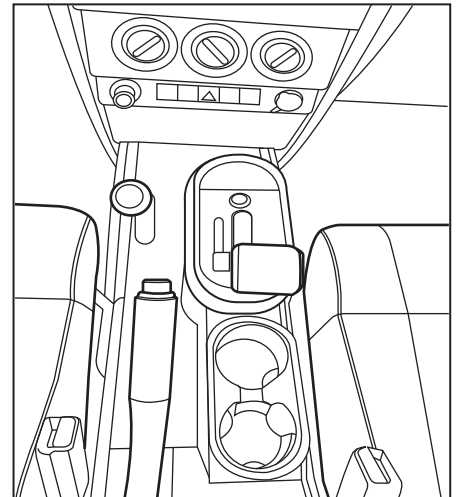


## INSTALLATION INSTRUCTIONS

### Step 1.

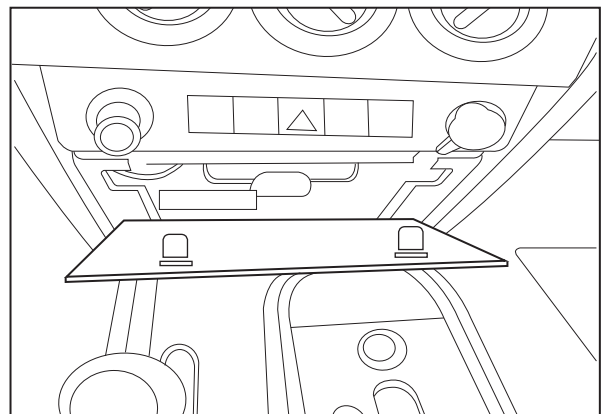
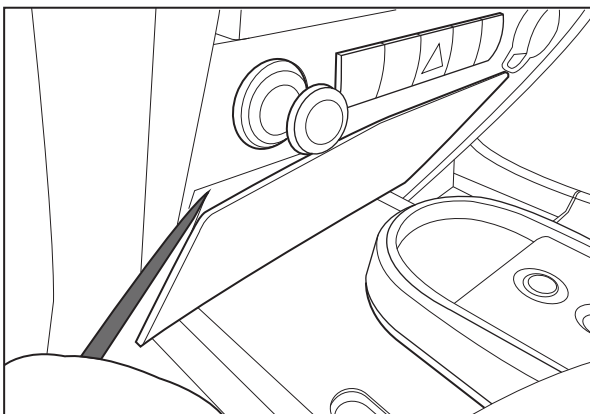
For easy access during the installation process.

- Make sure your Jeep's parking brake is on.
- Transfer case shifter is at 4L
- Shifter to lowest position (4th gear in manual)



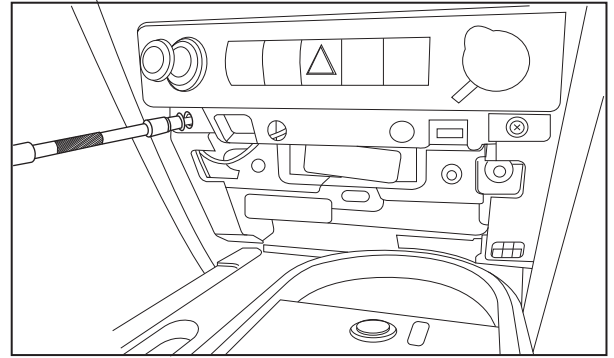
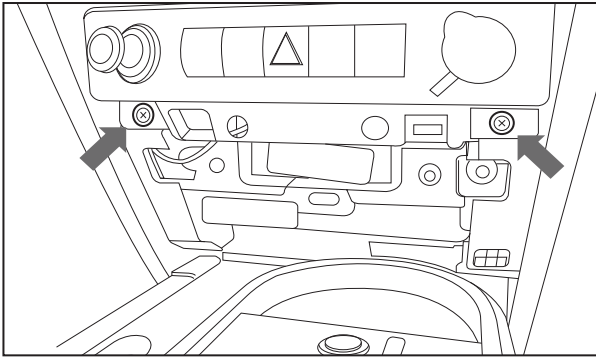
### Step 2.

Use a pry tool and pry off the bottom plastic bezel.



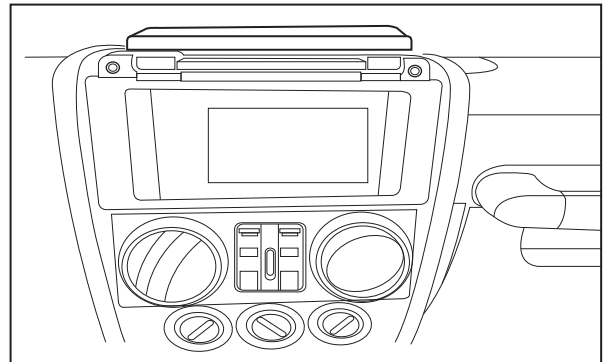
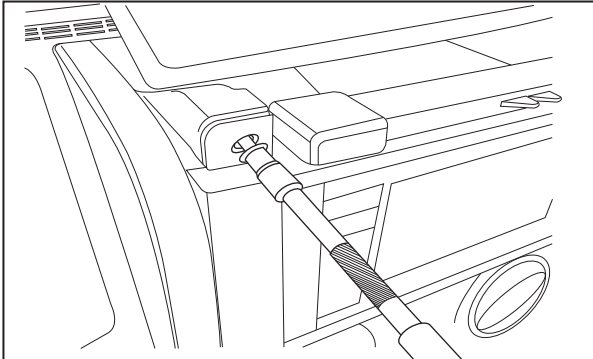
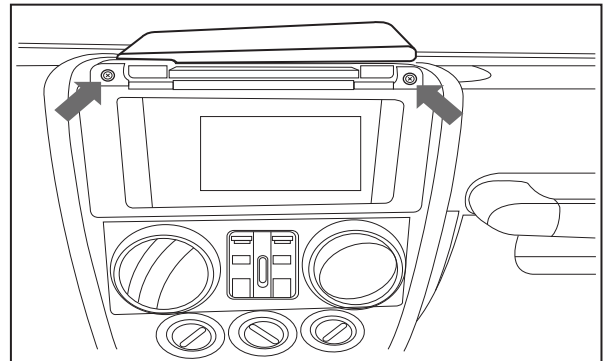
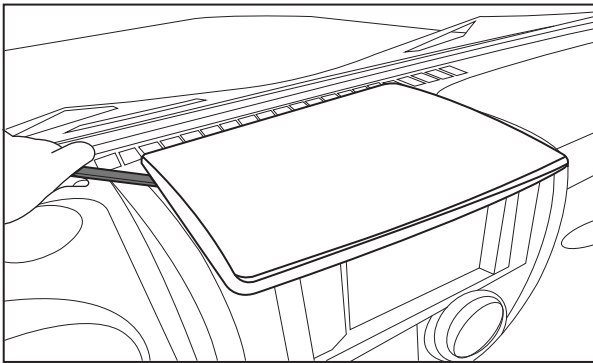
### Step 3.

Locate and remove two 7 mm hex bolts.



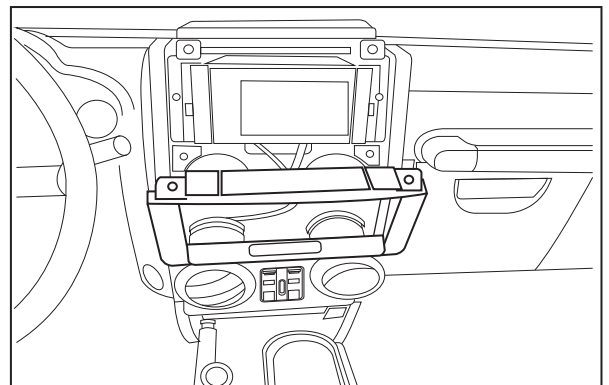
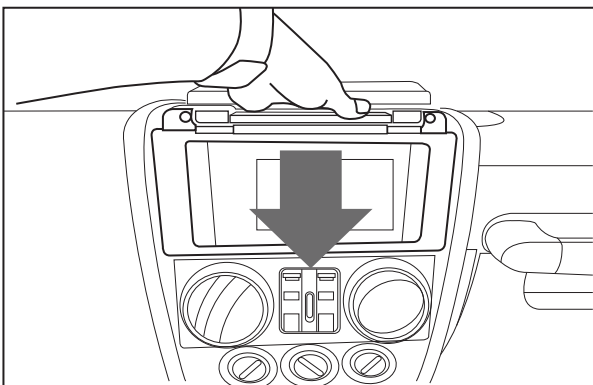
### Step 4.

Use a pry tool to pry out top dash bezel and set aside. You do not need to remove wiring harness (if present). Locate and remove two 7 mm hex bolts.



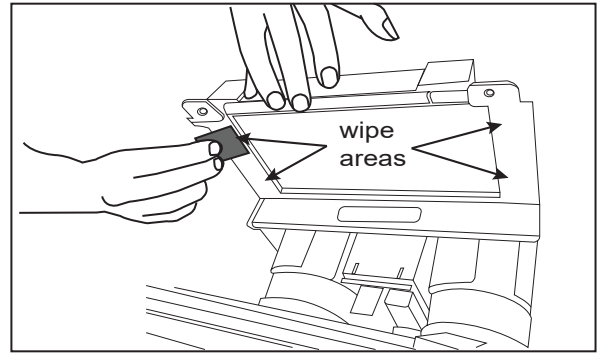
### Step 5.

For the magnets installation, you do not need to remove wiring harness and HVAC cables located on the back of the bezel. Grab the top of radio bezel and gently pull toward yourself to gain access to back of bezel for magnets installation.



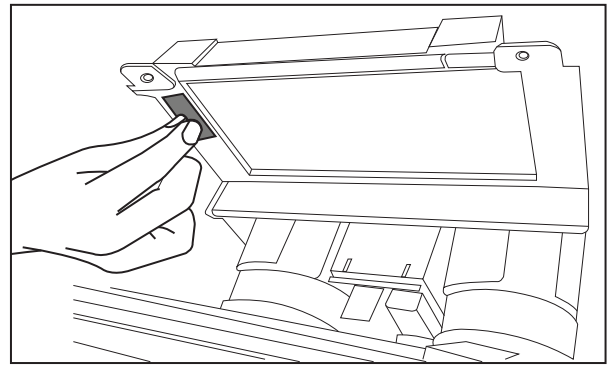
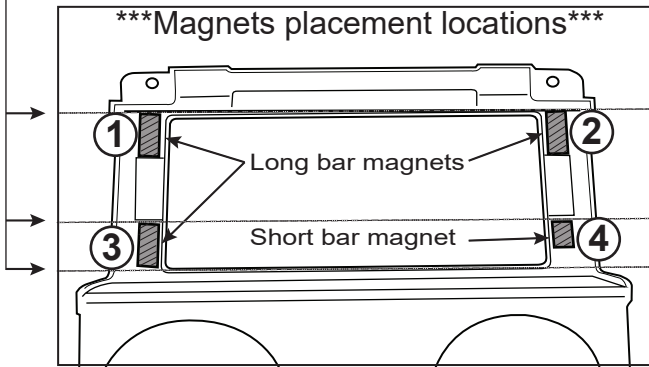
### Step 6.

Use the supplied 3M adhesive promoter to prep surface for magnets installation. Wipe working areas with promoter and allow to air dry before adhering magnets to bezel.



### Step 7.

There are 3 long and 1 short bar magnets. Peel off red backing from 3M foam tape and adhere to designated locations (1 - 4, where 4 is the short bar magnet). Use the imaginary lines (dotted lines) to determine points of adhesion. Once all 4 magnets have adhered properly, reinstall bezel in reverse.



## TDK610 Features:

NEOMAG Technology for quick mount and dismount

