



TABLET DASH KIT

Installation Instructions

PART # TDK637 & TDK638

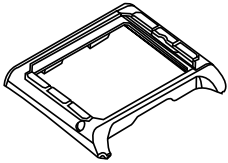
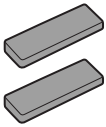


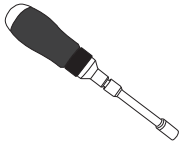

Best use with Apple iPad Mini
& Samsung Galaxy Tab S2 8.0

Applications

2015 - 2018 Ford F-150 with 4.3" & 8" screen
2017 - 2018 Ford F-250 Super Duty with 4.3" & 8" screen
2017 - 2018 Ford F-350 Super Duty with 4.3" & 8" screen

7545 Rosecrans Ave. | Paramount, CA 90723 | Toll: 866-303-4714 | Fax: 562-724-9668

Email: info@carrichs.com | www.carrichs.com

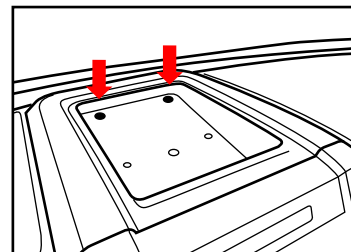
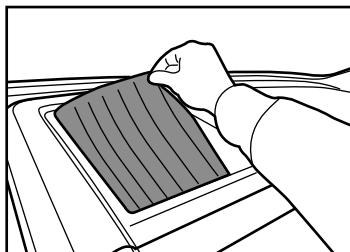
Components				Tools Required	
					
Tablet Dash Kit	2 bar magnets	2 metal sheets	3M adhesive promoter	7 mm socket driver	pry tool



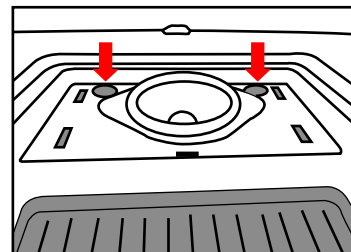
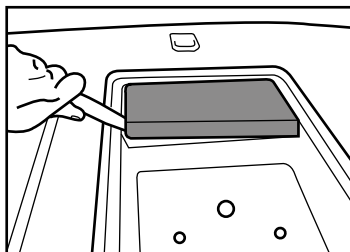
Users are responsible for all compliance of state and local laws while operating a motor vehicle. Users assume all risks.

STEP 1. Remove two 7mm hex bolts from top tray. Depending on the options equipped with your truck, removal of 7mm may be different.

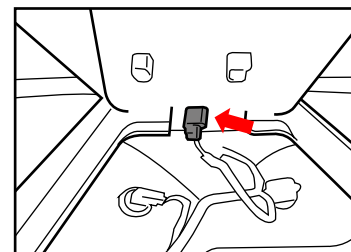
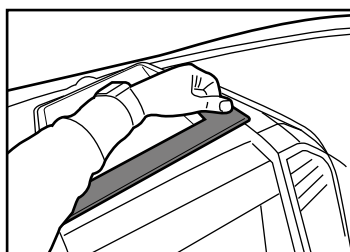
Truck without top center speaker



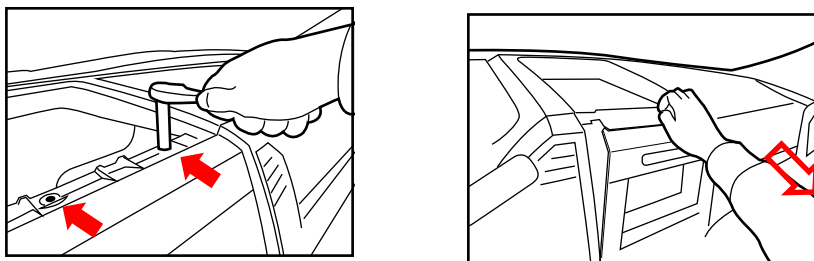
Truck with top center speaker



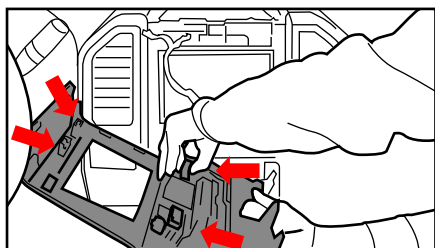
STEP 2. Remove top tray using pry tool and disconnect speaker connector



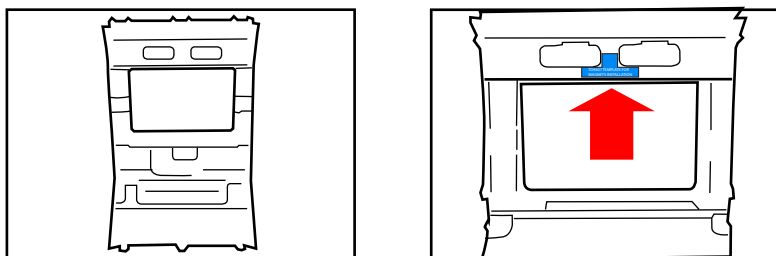
STEP 3. Remove two 7mm hex bolts and remove radio bezel by pulling toward you.



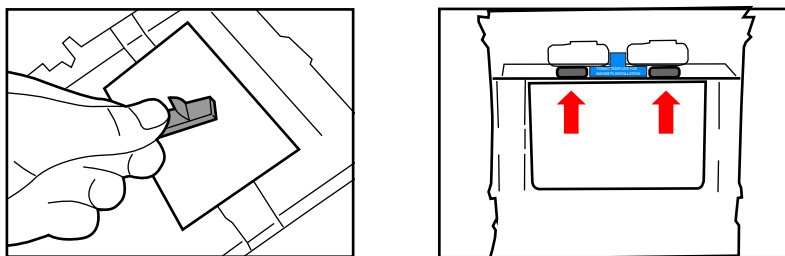
STEP 4. Disconnect connectors located on back of radio bezel



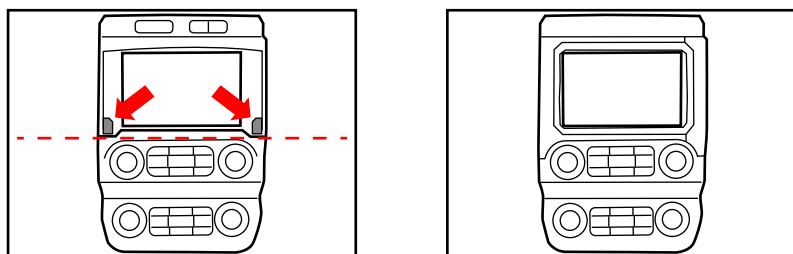
STEP 5. Flip to back side of radio bezel and place alignment template between traction control button and hazard light button, indicated by arrow below.



STEP 6. Peel off red backing tape of two bar magnets and adhere to designated spots indicated by arrows.



STEP 7. Flip bezel to the front side and peel off red backing tape of two metal sheets and adhere to designated spots indicated by arrows.



STEP 8. Test by placing Carrichs TDK over radio bezel and check for proper alignment. Adjust position of metal sheets when necessary for optimal hold. Re-install radio bezel by following step 1-4 in reverse order.



RECOMMENDED NAVIGATION APPS



GOOGLE MAPS



WAZE NAVIGATION & LIVE TRAFFIC



Obey all state and local laws while operating a motor vehicle and practice safe driving. Distracted driving is one of the leading causes of accidents leading to injury and even death. It is important to remember that even states do not have laws directly related to distracted driving, the act of driving distracted leads to driving behavior that is illegal, such as reckless driving and other traffic violations.